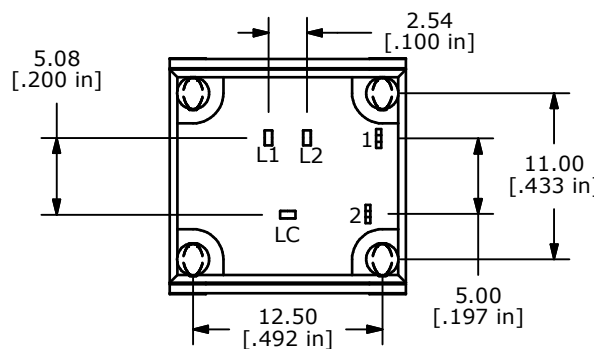


NOTES:

1. ALL DIMENSIONS IN MM [INCH]
2. GENERAL TOLERANCE: X.X=±0.4  
X.XX=±0.25
3. TERM. NOS. FOR REFERENCE ONLY.
4. RATING: 12VDC, 12mA; SPST
5. CONTACT MATERIAL: GOLD
6. CONTACT RESISTANCE: 50 MILLI-OHM MAX.
7. INSULATION RESISTANCE: 500VDC, 100 MEGA-OHM MIN.
- ▲8. OPERATING FORCE: 150±100GF
9. OPERATING LIFE: 200,000 CYCLES
10. OPERATING TEMP: -20°C TO +70°C
- ▲11. LED COLORS: BLUE (BOTH)
12. TRAVEL: 2.20mm±0.20
13. 2002/95/EC (ROHS) COMPLIANT
14. ▲ DENOTES CRITICAL PARAMETER.



▲ LED SPECS	UNITS	BLUE
FORWARD CURRENT	mA	25
FORWARD VOLTAGE @20mA	VDC	3.3
LUMINOUS INTENSITY @ 10mA	mcd	585



A	18339	RELEASE FOR PRODUCTION	12/15/08	BLR
REV	PCR NO	DESCRIPTION	DATE	BY

THE INFORMATION CONTAINED IN THIS DOCUMENT IS PROPRIETARY TO E-SWITCH AND IS NOT TO BE COPIED OR TRANSFERRED

TITLE LP60A1ASBB				
SCALE	DATE	DR	DWG	REV
2=1	12/15/2008	BLR	B220005	A